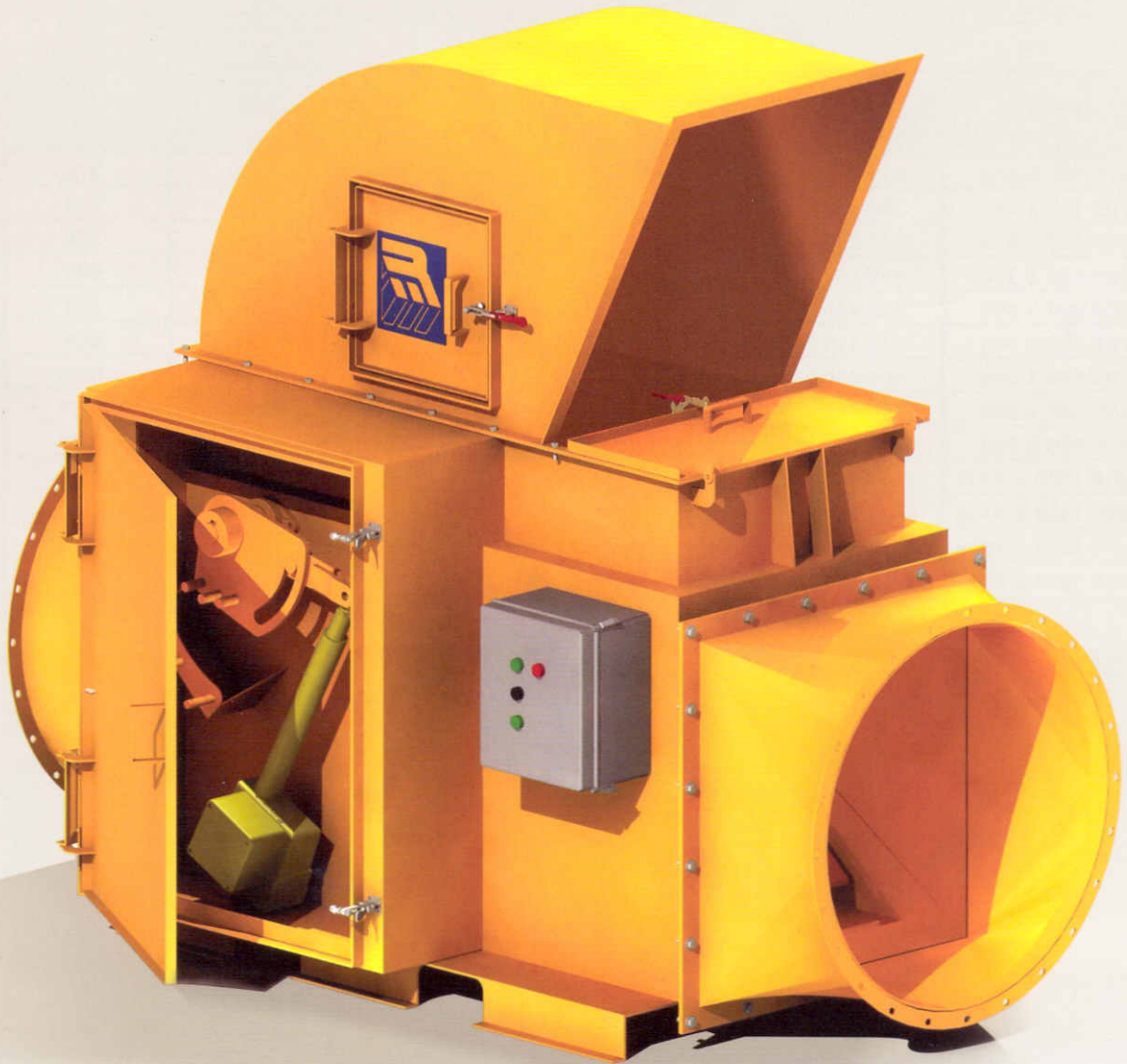


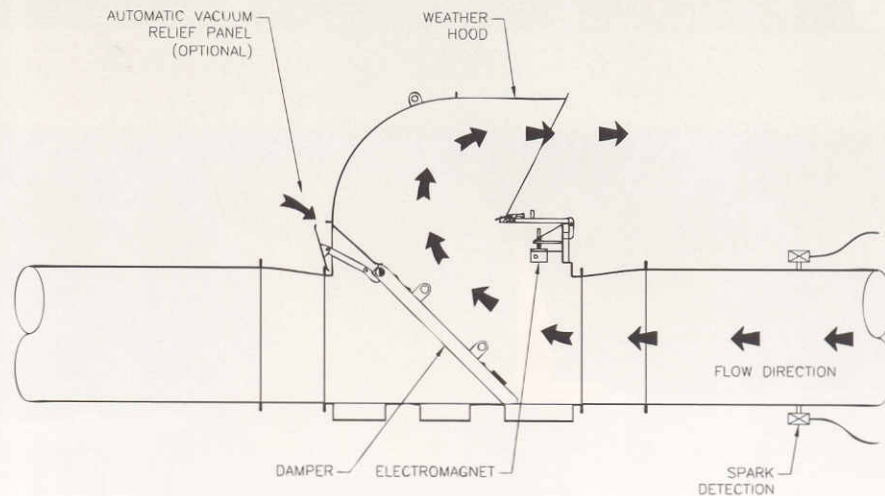
RODAIR
DIV. OF RODRIGUE METAL LTD.



HIGH SPEED ABORT GATE

"THE LATEST PROTECTION AGAINST FIRE OR EXPLOSIONS"

- The valve, which is located on an air duct, is designed to divert the air to the atmosphere whenever sparks or flames have been detected in the intake.
- The quickness of the reaction between the time of detection and the opening of the gate allows the sparks or flames to be diverted to the atmosphere in time to ensure the protection of your equipment located beyond the valve.
- Meet "NFPA-664, standard 8-4" for returning exhaust air to buildings.



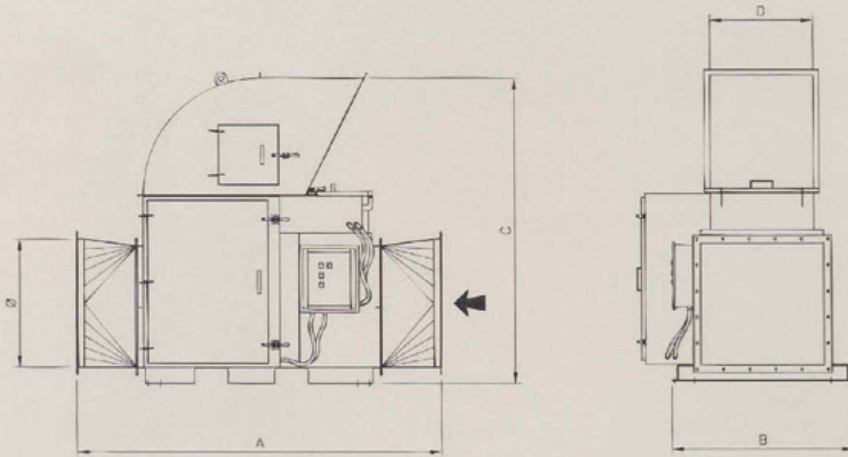
CHARACTERISTICS :

- Available diameters: 120 mm to 1850 mm (5" dia. to 72" dia.)
- Heavy-duty welded and bolted steel design
- Electro-magnetic 110 VDC gate-locking system
- Spring-action gate with an opening time of less than 500 milliseconds
- Seal around the gate
- Gate relocking system actived by an electric cylinder
- Weather hood
- Prewired electrical panel mounted on the side of the gate

AVAILABLE OPTIONS :

- Manual gate relocking system
- Automatic vacuum relief panel to eliminate any risk of collapse of the output duct when used in "negative pressure"
- Support tower with maintenance platform and access ladder
- Spark detection system

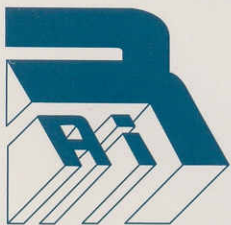
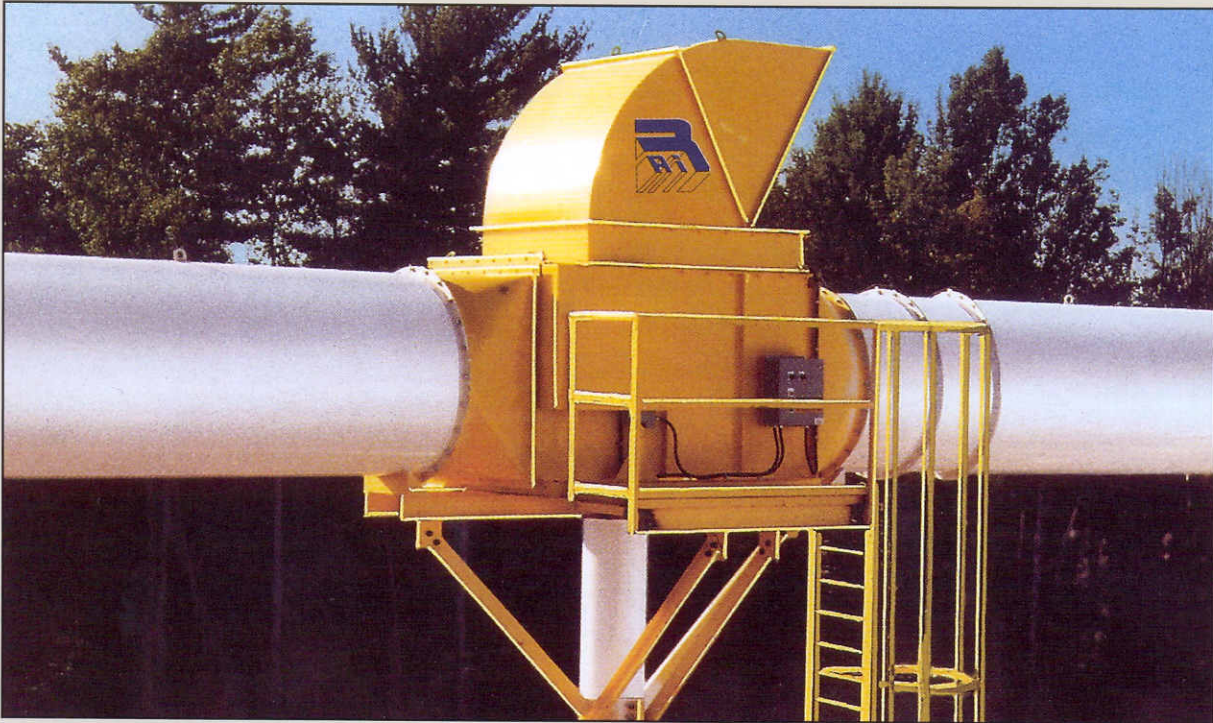
SELECTION CHART



MODEL	±Ø (mm)	A	B	C	D	WEIGHT (Lbs)
VDR-150 X 150	120-180	1050	545	750	150	275
VDR-150 X 250	200-240	1050	645	750	250	350
VDR-250 X 350	240-350	1540	525	1170	165	550
VDR-350 X 350	350-400	1600	625	1170	265	600
VDR-400 X 400	425-450	1550	650	1215	275	650
VDR-500 X 500	475-550	1675	900	1420	380	800
VDR-600 X 600	600-650	1940	920	1650	480	1000
VDR-800 X 800	700-900	2430	1200	2015	680	1550
VDR-950 X 950	950-1050	2740	1350	2370	780	2300
VDR-1200 X 1200	1100-1350	3180	1600	2780	1020	2800
VDR-1350 X 1350	1400-1500	3335	1705	3020	1165	3300
VDR-1200 X 1900	1550-1650	4310	2300	2870	1730	4900
VDR-1200 X 2200	1650-1850	4310	2600	2870	2030	5500



* The characteristics and dimensions are subject to change without prior notice



RODAIR
DIV. OF RODRIGUE METAL LTD.

1890, 1st street,
Saint-Romuald
(Quebec) Canada
G6W 5M6
E-mail : rodair@rodriguemetal.com
Website : www.rodriguemetal.com
Tel.: (418) 839-0400
Fax: (418) 839-0201

DISTRIBUTED BY

FLAMEX, Inc.
4365 Federal Drive
Greensboro, NC 27410
(336) 299-2933 · Fax: (336) 299-2944
www.sparkdetection.com